

# KENWOOD

4/3/2 CHANNEL POWER AMPLIFIER

**KAC-8452**  
**KAC-8402**

---

**INSTRUCTION MANUAL**

KENWOOD CORPORATION

# Safety precautions

## ⚠WARNING

### To prevent injury or fire, take the following precautions:

- When extending the ignition, battery, or ground wires, make sure to use automotive-grade wires or other wires with a 8 mm<sup>2</sup> (AWG 8) or more to prevent wire deterioration and damage to the wire coating.
- To prevent a short circuit, never put or leave any metallic objects (such as coins or metal tools) inside the unit.
- If the unit starts to emit smoke or strange smells, turn off the power immediately and consult your Kenwood dealer.
- Do not touch the unit during use because the surface of the unit becomes hot and may cause burns if touched.

## ⚠CAUTION

### To prevent damage to the machine, take the following precautions:

- Be sure the unit is connected to a 12V DC power supply with a negative ground connection.
- Do not open the top or bottom covers of the unit.
- Do not install the unit in a spot exposed to direct sunlight or excessive heat or humidity. Also avoid places with too much dust or the possibility of water splashing.
- When replacing a fuse, only use a new one with the prescribed rating. Using a fuse with the wrong rating may cause your unit to malfunction.
- To prevent a short circuit when replacing a fuse, first disconnect the wiring harness.

## NOTE

- If you experience problems during installation, consult your Kenwood dealer.
- If the unit does not seem to be working right, consult your Kenwood dealer.

## Cleaning the unit

If the front panel gets dirty, turn off the power and wipe the panel with a dry silicon cloth or soft cloth.

### ⚠CAUTION

Do not wipe the panel with a hard cloth or a cloth dampened by volatile solvents such as paint thinner and alcohol. They can scratch the surface of the panel and/or cause the indicator letters to peel off.

## To prevent battery rise

When the unit is used in the ACC ON position without turning the engine ON, it depletes the battery. Use it after starting the engine.

## Protection function

The protection function is activated in the following situations:

This unit is equipped with a protection function for protecting this unit and your speakers from various accidents or problems that can occur.

When the protection function is triggered, the Power indicator goes OFF and the amplifier stops operating.

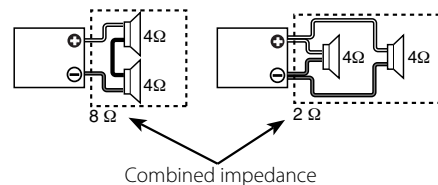
- When a speaker wire may be short-circuited.
- When a speaker output contacts ground.
- When the unit malfunctions and a DC signal is sent to the speaker output.
- When the internal temperature is high and unit won't operate.
- When a ground wire of the center unit (cassette receiver, CD receiver, etc.) or this unit is not connected to a metal part serving as an electrical ground passing electricity to the battery's negative ⊖ terminal.

## Wiring

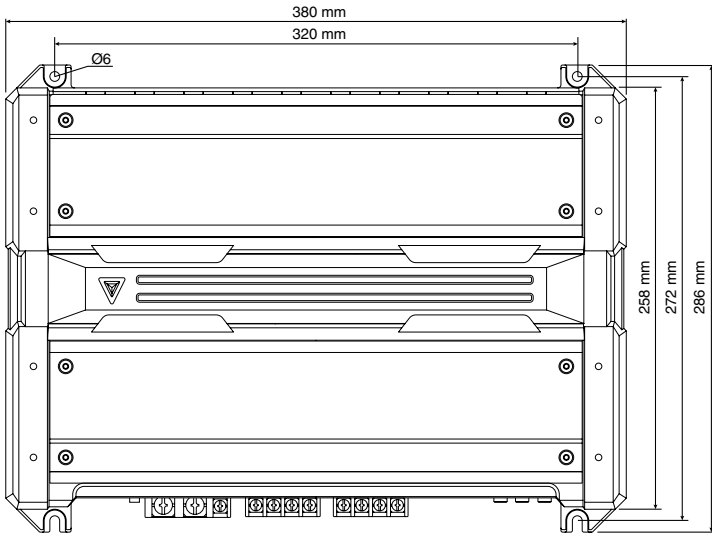
- Take the battery wire for this unit directly from the battery. If it's connected to the vehicle's wiring harness, it can cause blown fuses etc.
- If a buzzing noise is heard from the speakers when the engine is running, connect a line noise filter (optional) to each of the battery wire.
- Do not allow the wire to directly contact the edge of the iron plate by using Grommets.
- Connect the ground wire to a metal part of the car chassis that acts as an electrical ground passing electricity to the battery's negative ⊖ terminal. Do not turn the power on if the ground wire is not connected.
- Be sure to install a protective fuse in the power cord near the battery. The protective fuse should be the same capacity as the unit's fuse capacity or somewhat larger.
- For the power cord and ground, use a vehicle type (fireproof) power wiring cord with a current capacity greater than the unit's fuse capacity. (Use a power wiring cord with a diameter of 8 mm<sup>2</sup> (AWG 8) or greater.)
- When more than one power amplifier are going to be used, use a power supply wiring wire and protective fuse of greater current-handling capacity than the total maximum current drawn by each amplifier.

## Speaker Selection

- The rated input power of the speakers that are going to be connected should be greater than the maximum output power (in Watts) of the amplifier. Use of speakers having input power ratings that are less than the output power of the amplifier will cause smoke to be emitted as well as damage.
- The impedance of the speakers that are going to be connected should be 2Ω or greater (for stereo connections), or 4Ω or greater (for bridged connections). When more than one set of speakers are going to be used, calculate the combined impedance of the speakers and then connect suitable speakers to the amplifier.

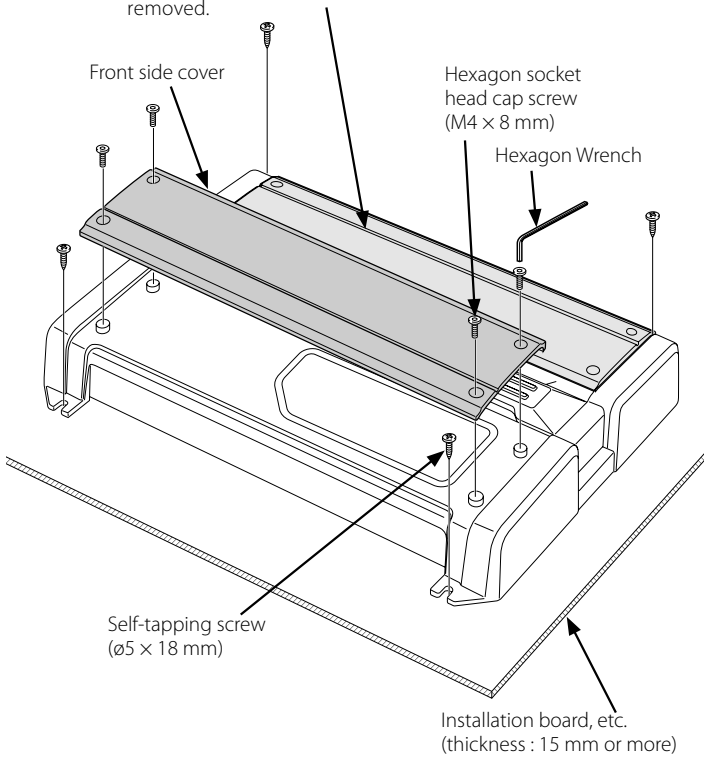


# Installation



## NOTE

- The rear side cover is fixed and cannot be removed.



## Accessories

Part name	External View	Number of Items
Self-tapping screws (ø5 x 18 mm)		4
Terminal cover (Power terminal)		1
Speaker level input cable		1
Hexagon Wrench		1

## Installation procedure

Since there are large variety of settings and connections possible according to applications, read the instruction manual well to select the proper setting and connection.

1. Remove the ignition key and disconnect the negative  $\ominus$  terminal of the battery to prevent short circuits.
2. Set the unit according to the intended usage.
3. Connect the input and output wires of the units.
4. Connect the speaker wires.
5. Connect the power wire, power control wire and grounding wire following this order.
6. Install the installation fittings in the unit.
7. Attach the unit.
8. Connect the negative  $\ominus$  terminal of the battery.

## CAUTION

- Do not install in the below locations; (Unstable location, In a location that interferes with driving, In a location that gets wet, In a dusty location, In a place that gets hot, In a place that gets direct sunlight, In a location that gets hit by hot air)
- Do not install the unit under the carpet. Otherwise heat build-up occurs and the unit may be damaged.
- Install this unit in a location which allows heat to easily dissipate. Once installed, do not place any object on top of the unit.
- The surface temperature of the amplifier will become hot during use. Install the amplifier in a place where people, resins, and other substances that are sensitive to heat will not come into contact with it.
- When making a hole under a seat, inside the trunk, or somewhere else in the vehicle, check that there is nothing hazardous on the opposite side such as a gasoline tank, brake pipe, or wiring harness, and be careful not to cause scratches or other damage.
- Do not install near the dashboard, rear tray, or air bag safety parts.
- The installation to the vehicle should securely fasten the unit to a place in which it will not obstruct driving. If the unit comes off due to a shock and hits a person or safety part, it may cause injury or an accident.
- After installing the unit, check to make sure that electrical equipment such as the brake lamps, turn signal lamps and windshield wipers operate normally.

# Connection

## ▲WARNING

To prevent fire caused by a short in the wiring, connect a fusible link or breaker nearby the battery's positive terminal.

## ▲CAUTION

- If sound is not output normally, immediately turn power off and check connections.
- Be sure to turn the power off before changing the setting of any switch.
- If the fuse blows, check wires for shorts, then replace the fuse with one of the same rating.
- Check that no unconnected wires or connectors are touching the car body. Do not remove caps from unconnected wires or connectors to prevent short circuits.
- Connect the speaker wires to appropriate speaker connectors separately. Sharing the negative wire of the speaker or grounding speaker wires to the metal body of the car can cause this unit to fail.
- After installation, check that the brake lamps, wipers, and wipers work properly.

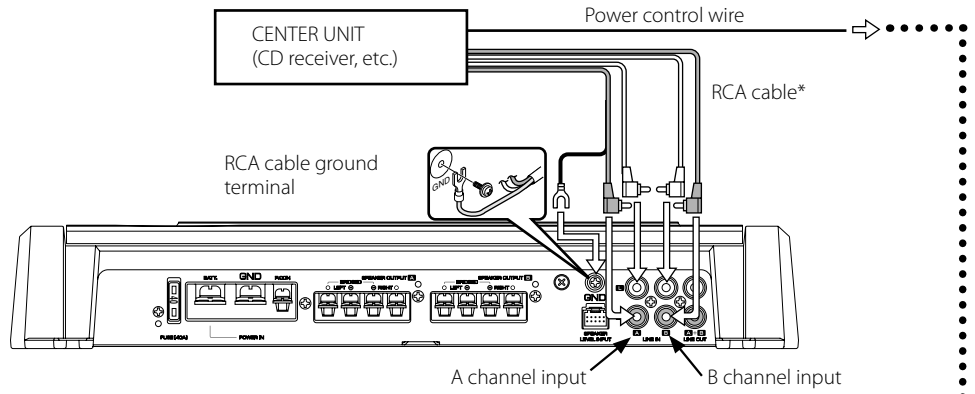
## NOTE

- Do not connect cables and leads to both RCA cable input jacks and the speaker level input terminals simultaneously, for this may cause malfunction or damage.

\* Commercially available parts

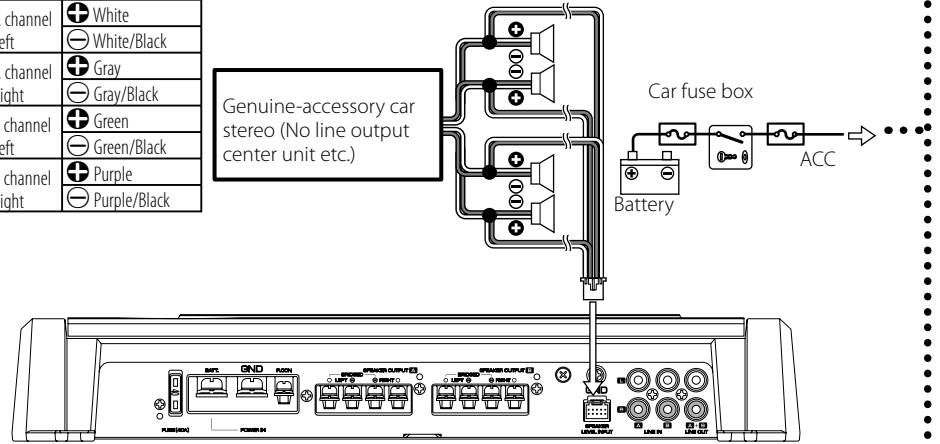
## ■ RCA cable or Speaker level input connection

### • RCA cable Connections

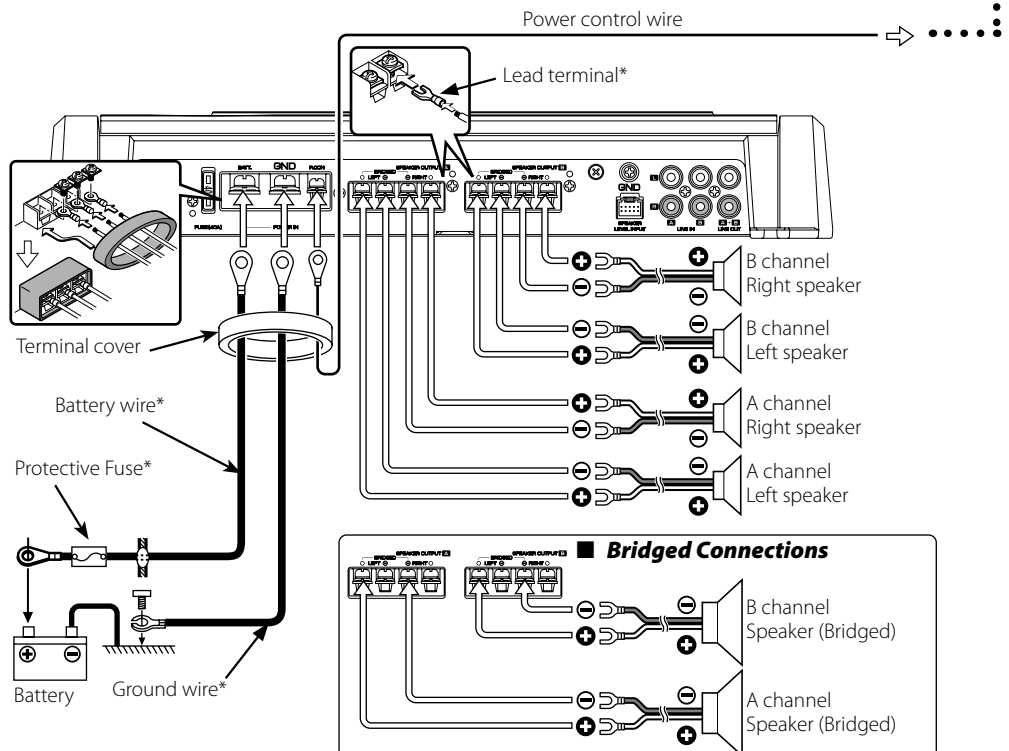


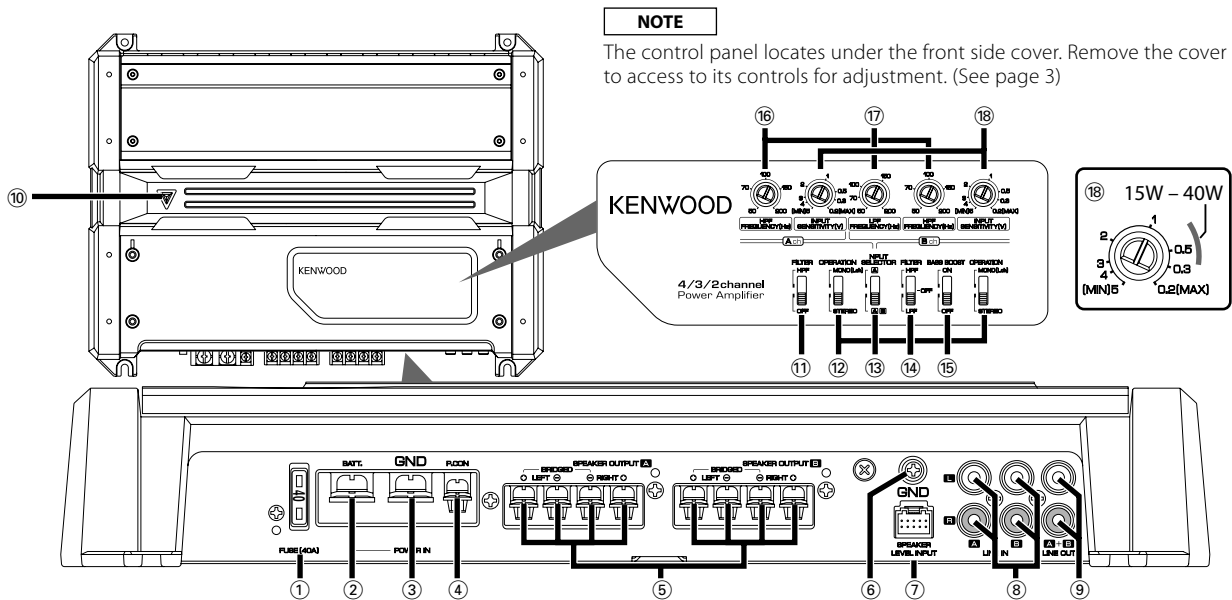
### • Speaker level input Connections

Cable Color of the connector	
<b>A</b> A channel	⊕ White
<b>L</b> Left	⊖ White/Black
<b>A</b> A channel	⊕ Gray
<b>R</b> Right	⊖ Gray/Black
<b>B</b> B channel	⊕ Green
<b>L</b> Left	⊖ Green/Black
<b>B</b> B channel	⊕ Purple
<b>R</b> Right	⊖ Purple/Black



## ■ Power wire and Speaker wire connection





**NOTE**

The control panel locates under the front side cover. Remove the cover to access to its controls for adjustment. (See page 3)

**This is a 4 channel amplifier including 2 stereo amplifiers in a body. One amplifier is referred to as amplifier A and the other is amplifier B. This unit is compatible with a large variety of systems by combining the switches and functions described in the following.**

**① Fuse (40 A)**

**NOTE**

If you can't find the specified capacity fuse at your store etc., consult your Kenwood dealer.

**② Battery terminal**

**③ Ground terminal**

**④ Power control terminal**

Controls the unit ON/OFF.

**NOTE**

Controls the unit power. Be sure to connect it with all the systems.

**⑤ Speaker output terminals (A.ch/B.ch)**

**• Stereo Connections:**

When you wish to use the unit as a stereo amplifier, stereo connections are used. The speakers to be connected should have an impedance of 2Ω or greater. When multiple speakers are to be connected, ensure that the combined impedance is 2Ω or greater for each channel.

**• Bridged Connections:**

When you wish to use the unit as a high-output monaural amplifier, bridged connections are used. (Make connections to the LEFT channel ⊕ and the RIGHT channel ⊖ SPEAKER OUTPUT terminals.) The speakers to be connected should have an impedance of 4Ω or greater. When multiple speakers are to be connected, ensure that the combined impedance is 4Ω or greater.

**▲CAUTION**

The rated input of the speakers should be no less than the maximum output of the amplifier. Otherwise malfunction may result.

**⑥ RCA cable ground lead terminal**

When using an RCA cable with a ground lead attached, connect the ground lead to this terminal.

**⑦ Speaker level input terminals**

**NOTE**

- The genuine-accessory car stereo shall have a maximum power output of no more than 40 W.
- Do not connect the speaker output leads from a power amplifier (Optional) to the speaker level input terminals of this unit, for this may cause malfunction or damage.
- Do not connect cables and leads to both RCA cable input jacks and the speaker level input terminals simultaneously, for this may cause malfunction or damage.
- Connect the power control lead to a power supply which can be turned ON/OFF by the ignition key switch (ACC line). With this connection, shock noise may be generated when the power of the genuine-accessory car stereo is switched ON/OFF.

**⑧ LINE IN terminal (A.ch/B.ch)**

**⑨ LINE OUT terminal**

These jacks output respectively the signals input to amplifiers A and B. They always output the stereo signals regardless of the position of the "OPERATION" switch.

**⑩ Power indicator**

When the power is turned on, the Power indicator lights. If the Power indicator does not light when the power is turned on, the protection function may be activated. Check whether there is any indication of trouble. (See page 2)

**⑪ FILTER switch (A.ch)**

This switch allows to apply high-pass filtering to the speaker outputs.

**• HPF (High-Pass Filter) position:**

The filter outputs the band of higher frequencies than the frequency set with the "HPF FREQUENCY" control.

**• OFF position:**

The entire bandwidth is output without filtering.

**⑫ OPERATION switch (A.ch/B.ch)**

The amplification methods of the signals input to amplifiers A and B can be selected independently according to the setting of this switch.

**• STEREO position:**

The amplifier can be used as a stereo amplifier.

**• MONO (Lch) position:**

Amplifies the signal input from the left side only. Set to this position and make bridged connections to use as a high-power monaural amplifier. (The input right signal is not output.)

**⑬ INPUT SELECTOR switch**

This switch selects the input method of the signals to be amplified by amplifiers A and B.

**• A B position:**

Amplifies both of the signals input to amplifiers A and B.

**• A position:**

Amplifies only signal input amplifier A with both amplifiers A and B.

**⑭ FILTER switch (B.ch)**

This switch allows to apply high-pass or low-pass filtering to the speaker outputs.

**• HPF (High-Pass Filter) position:**

The filter outputs the band of higher frequencies than the frequency set with the "HPF FREQUENCY" control.

**• OFF position:**

The entire bandwidth is output without filtering.

**• LPF (Low-Pass Filter) position:**

The filter outputs the band of lower frequencies than the frequency set with the "LPF FREQUENCY" control.

The speaker output is automatically switched to monaural (L+R).

**⑮ BASS BOOST switch (B.ch)**

Setting this switch to "ON" emphasizes the bass. You can use the BASS BOOST for amplifier B only.

**• ON position:**

BASS BOOST is +6 dB.

**• OFF position:**

BASS BOOST is OFF.

**⑯ HPF FREQUENCY control (A.ch/B.ch)**

Sets the cutoff frequency when the "FILTER" switch is set to "HPF".

**⑰ LPF FREQUENCY control (B.ch)**

Sets the cutoff frequency when the "FILTER" switch is set to "LPF".

**⑱ INPUT SENSITIVITY control (A.ch/B.ch)**

Set this control according to the pre-output level of the center unit connected with this unit, or to the maximum power output of the genuine-accessory car stereo.

The sensitivities of amplifiers A and B can be adjusted independently regardless of the position of the input selector switch.

Use the diagram on the right as a guide.

**NOTE**

For the pre-output level or the maximum power output, refer to the <Specifications> in the instruction manual of the center unit.

## ■ 4-channel system

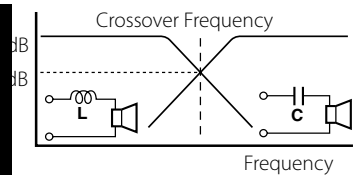
## ■ High-power 2-channel system

## ■ 2-channel + Subwoofer system (1)

## ■ 2-channel + Subwoofer system (2)

### Principle of Tri-mode

Method of frequency band division using a coil and capacitor...in case of 6dB/oct. slope.



### Example:

When it is required to set a crossover frequency of 120 Hz using speakers with an impedance of 4 ohms.

Prepare commercially-available coil and capacitor with the closest ratings to the results calculated from the formula above. The capacitor rating should be as close as possible to 331.25 ( $\mu\text{F}$ ) and the coil rating should be as close as possible to 5.3 (mH).

#### ⚠CAUTION

- If you wish to bridge-connect a speaker, the speaker impedance must be no less than 4 ohms. Connecting a speaker with an impedance lower than 4 ohms may damage the unit.
- Be sure to connect capacitors to speakers to which high frequencies will be passed. Failure to do so will result in a drop of the combined impedance with the subwoofer.
- Ensure that the withstand voltage and current ratings of the capacitors (C) and coils (L) are sufficient.

# Troubleshooting Guide

What might appear to be a malfunction in your unit may just be the result of slight misoperation or miswiring. Before calling service, first check the following table for possible problems.

PROBLEM	POSSIBLE CAUSE	SOLUTION
<b>No sound. (No sound from one side.) (Blown fuse.)</b>	<ul style="list-style-type: none"> <li>Input (or output) cables are disconnected.</li> <li>Protection circuit may be activated.</li> <li>Volume is too high.</li> <li>The speaker cord is shorted.</li> </ul>	<ul style="list-style-type: none"> <li>Connect the input (or output) cables.</li> <li>Check connections by referring to &lt;Protection function&gt;.</li> <li>Replace the fuse and use lower volume.</li> <li>After check the speaker cord and fixing the cause of the short, replace the fuse.</li> </ul>
<b>The output level is too small (or too large).</b>	<ul style="list-style-type: none"> <li>The input sensitivity adjusting control is not set to the correct position.</li> </ul>	<ul style="list-style-type: none"> <li>Adjust the control correctly referring to &lt;Controls&gt;.</li> </ul>
<b>The sound quality is bad. (The sound is distorted.)</b>	<ul style="list-style-type: none"> <li>The speakers wire are connected with wrong ⊕ / ⊖ polarity.</li> <li>A speaker wire is pinched by a screw in the car body.</li> <li>The switches may be set improperly.</li> </ul>	<ul style="list-style-type: none"> <li>Connect them properly checking the ⊕ / ⊖ of the terminals and wires well.</li> <li>Connect the speaker wire again so that it is not pinched by anything.</li> <li>Set switches properly by referring to &lt;System examples&gt;.</li> </ul>

## Specifications

Specifications subject to change without notice.

<b>Audio Section</b> .....	<b>KAC-8452</b>	<b>KAC-8402</b>
Max Power Output .....	800 W	720 W
Rated Power Output (+B = 14.4 V)		
Normal (4 Ω) (20 Hz – 20 kHz, 0.08 % THD).....	70 W × 4	60 W × 4
(4 Ω) (DIN : 45324 , +B = 14.4V).....	70 W × 4	60 W × 4
(2 Ω) (1 kHz, 0.8 % THD).....	100 W × 4	90 W × 4
Bridged (4 Ω) (1 kHz, 0.8 % THD).....	200 W × 2	180 W × 2
Frequency Response (+0, –3 dB).....	5 Hz – 50 kHz	5 Hz – 50 kHz
Sensitivity (rated output) (MAX.) .....	0.2 V	0.2 V
(MIN.) .....	5.0 V	5.0 V
Input Impedance .....	10 kΩ	10 kΩ
Signal to Noise Ratio.....	≤100 dB	≤100 dB
Low Pass Filter Frequency (18 dB/oct.) (B channel) .....	50 – 200 Hz (variable)	50 – 200 Hz (variable)
High Pass Filter Frequency (12 dB/oct.).....	50 – 200 Hz (variable)	50 – 200 Hz (variable)
Bass Boost Circuit (90 Hz) (B channel).....	+6 dB	+6 dB
<b>General</b> .....	<b>KAC-8452</b>	<b>KAC-8402</b>
Operating Voltage .....	14.4 V (11 – 16 V allowable)	14.4 V (11 – 16 V allowable)
Current Consumption .....	40 A	40 A
Installation Size (W × H × D) .....	380 × 61 × 286 mm	380 × 61 × 286 mm
Weight .....	5.8 kg	5.8 kg

